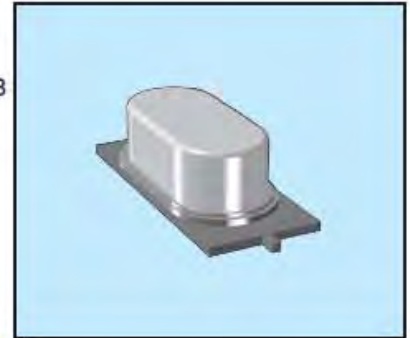


FEATURES

- * Cost effective
- * Space saving design
- * Low profile
- * Tape & Reel (1,000 pcs)

The ISX-49S is an excellent choice for the SMD version of the HC-49US leaded crystal. The ISX-49S has a case height of 4.3 mm maximum in a resistance weld metal package. A package profile of 2.8 mm maximum is also available.



OPERATING CONDITIONS/ELECTRICAL CHARACTERISTICS

PARAMETERS	CONDITIONS	MINIMUM	TYPICAL	MAXIMUM	UNITS
FREQUENCY RANGE	f_0	3.57		70.000	MHz
FREQUENCY TOLERANCE	@ +25°C			30	PPM
FREQUENCY STABILITY, f_{ref} @ 25°C	Standard -10 +70°C			50	PPM
	Option -40 +85°C			100	PPM
OPERATING TEMPERATURE	Standard	-10		70	°C
	Option	-40		+85	°C
STORAGE TEMPERATURE (T_{STG})	T_{STG}	-40		+105	°C
SHUNT CAPACITANCE (C_0)	C_0			7.0	pF
LOAD CAPACITANCE (C_L)	C_L (Customer Specified)	8	20.0 standard	Series	pF
DRIVE LEVEL	3.570 - 70.000 MHz			0.1	mW
AGING (FIRST YEAR)	@ +25°C			5.0	PPM

EQUIVALENT SERIES RESISTANCE

FREQUENCY RANGE (MHz)	MODE	MAX ESR Ω	FREQUENCY RANGE (MHz)	MODE	MAX ESR Ω
3.570 ~ 4.999	Fundamental	150	13.000 ~ 19.000	Fundamental	40
5.000 ~ 5.999	Fundamental	80	20.000 ~ 29.000	Fundamental	30
6.000 ~ 6.999	Fundamental	70	26.000 ~ 39.999	3rd O/T	100
7.000 ~ 8.999	Fundamental	60	40.000 ~ 70.000	3rd O/T	80
9.000 ~ 12.999	Fundamental	50			

PACKAGE DIMENSIONS (mm)

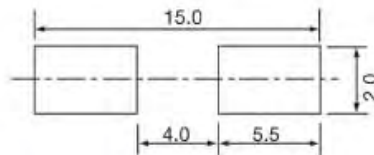
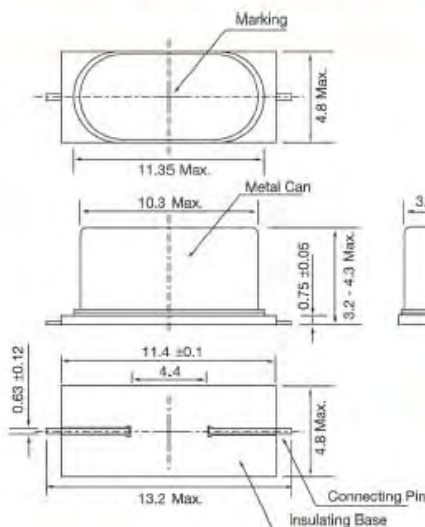


Figure 2) ISX-49S Land Pattern - Bottom view

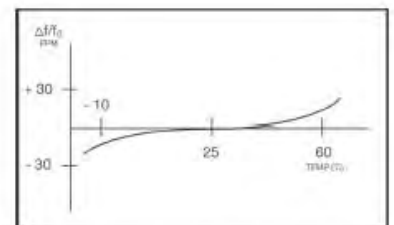


Figure 3) Frequency vs Temperature Curve

Height "H" (max.)	
A	4.3 mm
B	3.2 mm
C	2.8 mm

Figure 1) ISX-49S - Top, Side, Bottom and End views